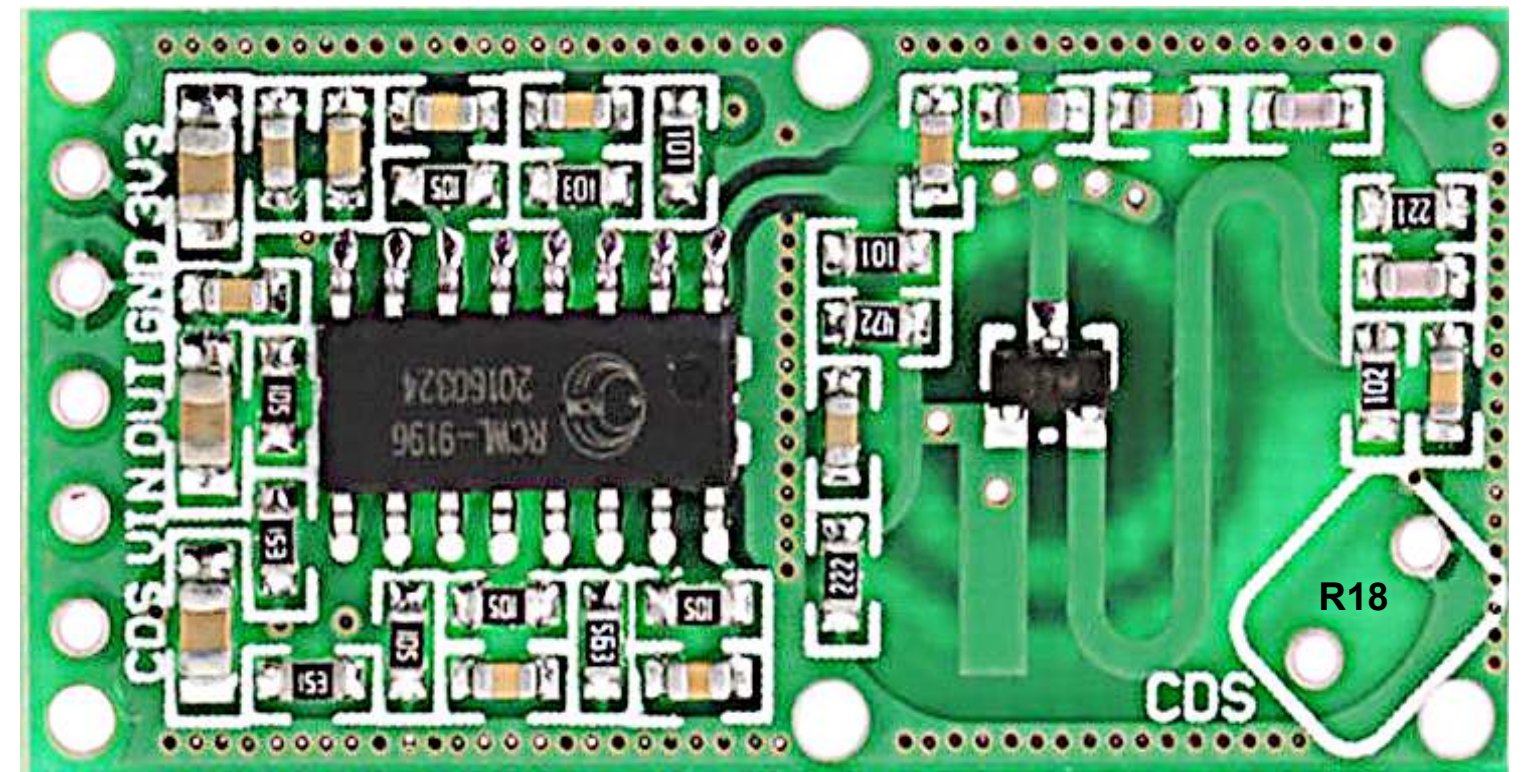
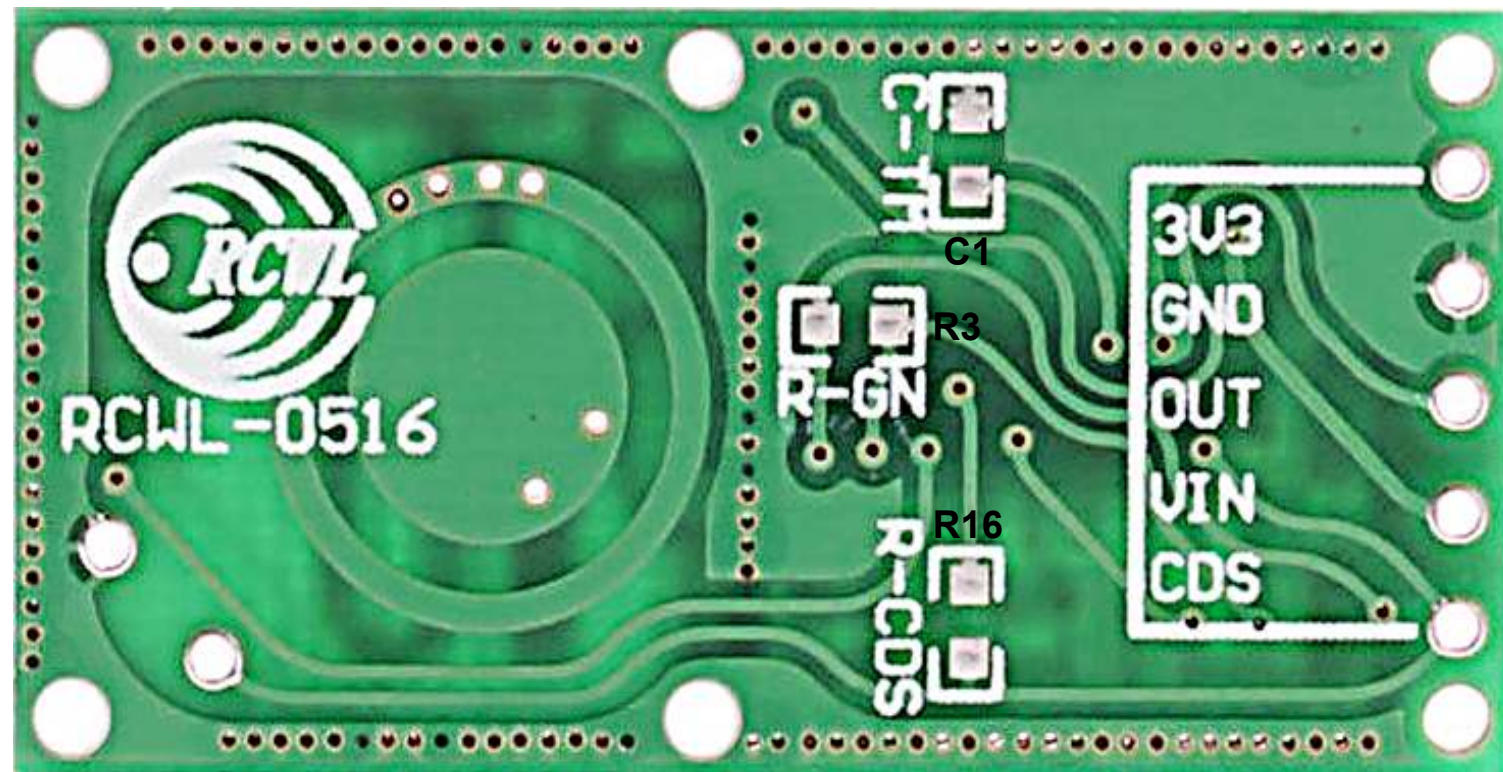
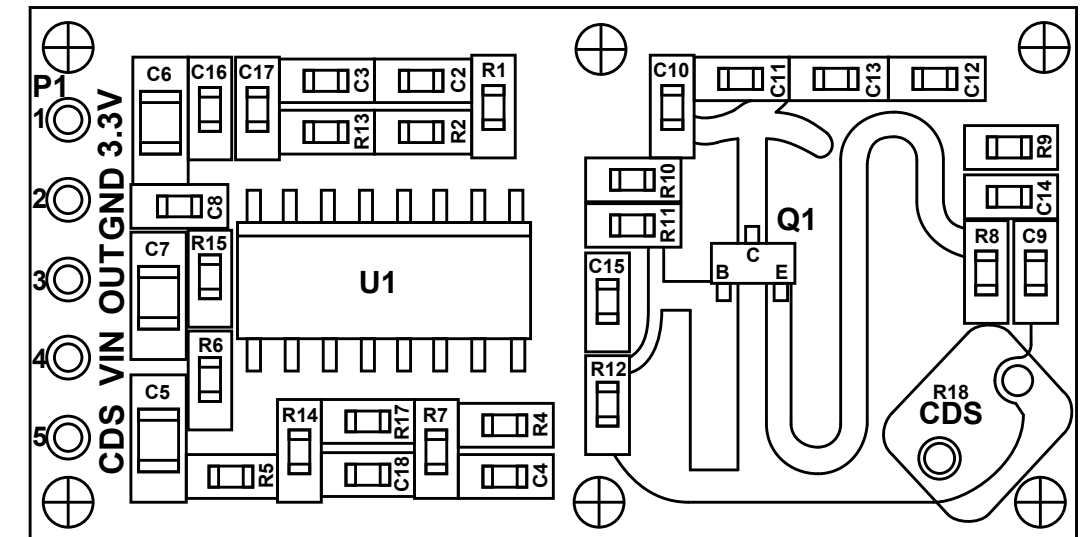
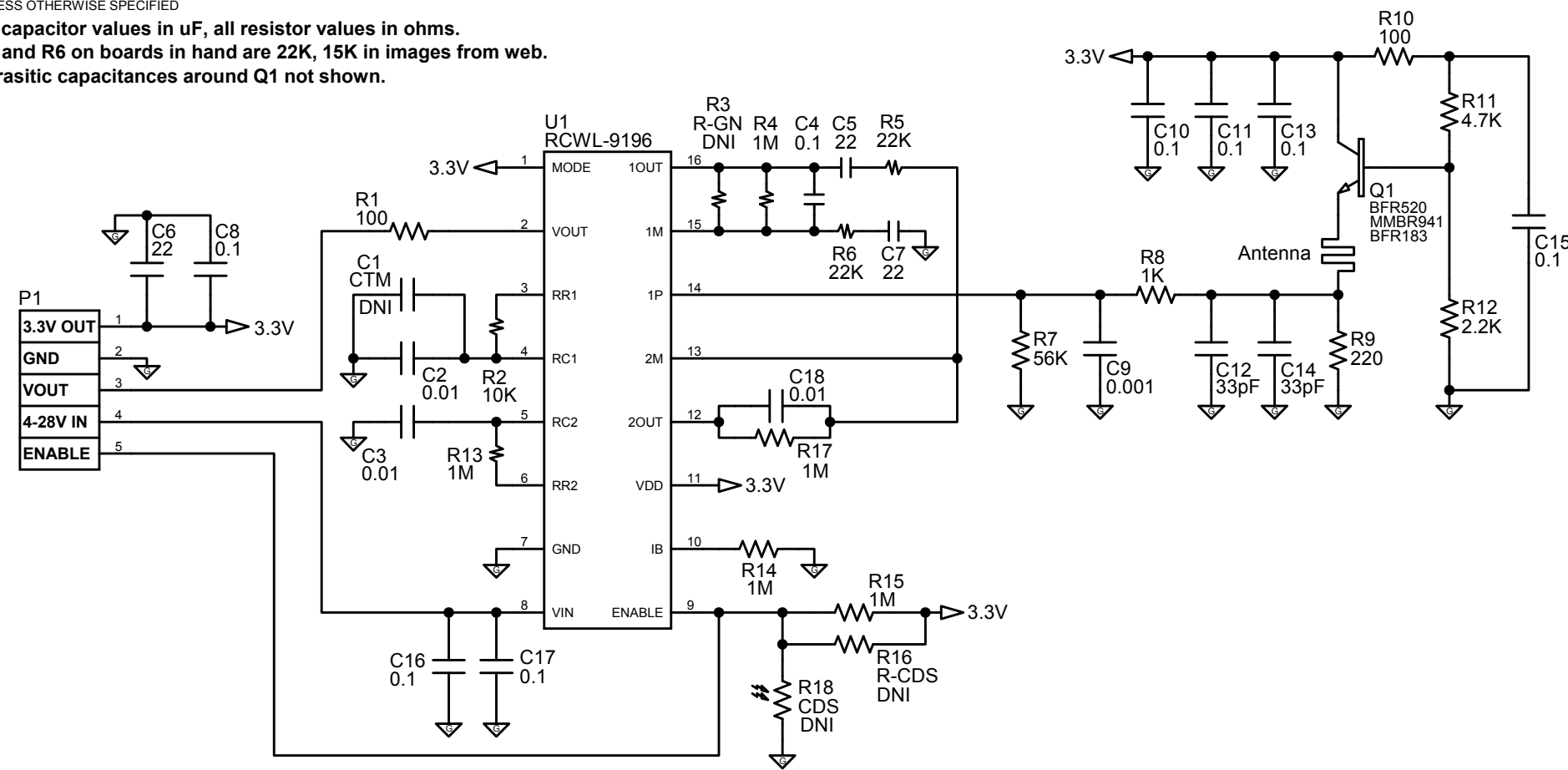


NOTES: UNLESS OTHERWISE SPECIFIED

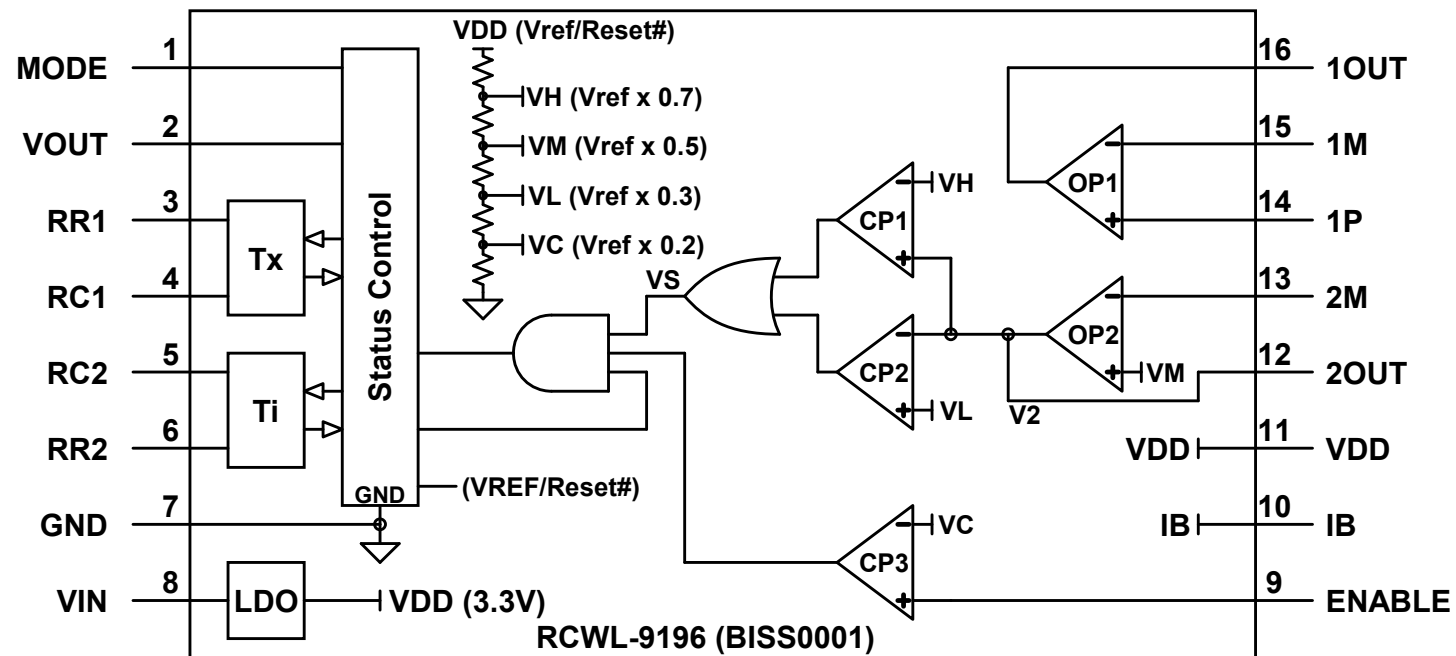
1. All capacitor values in uF, all resistor values in ohms.
2. R5 and R6 on boards in hand are 22K, 15K in images from web.
3. Parasitic capacitances around Q1 not shown.

REVISION HISTORY			
REV	DESCRIPTION	APPROVED	DATE



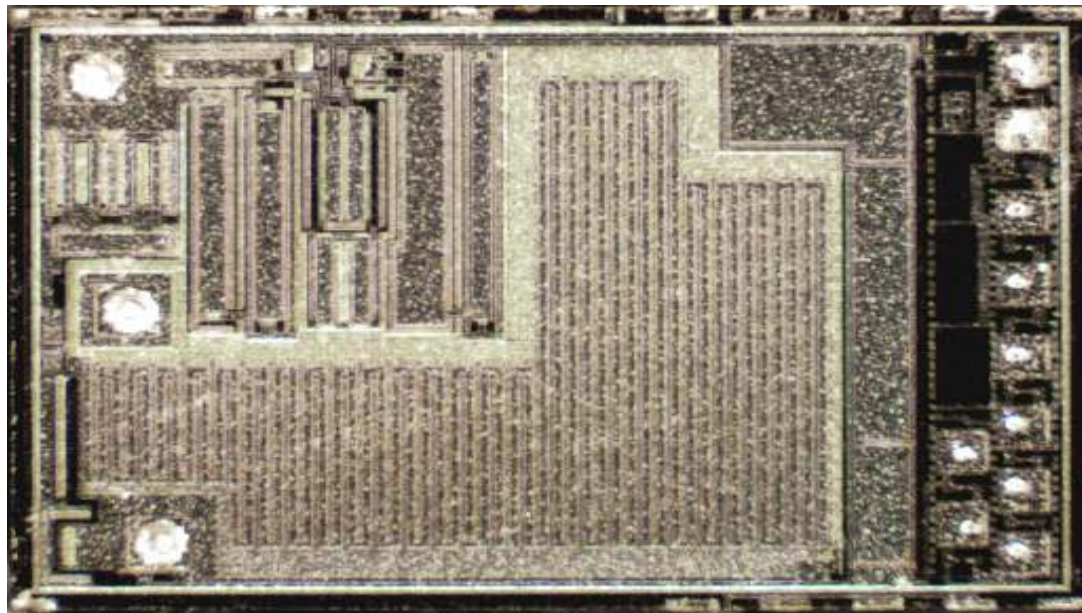
APPROVALS		DATE	TITLE		
DRAWN	J TAYLOR	2017/01/01	RCWL-0516 3.2GHz motion detector (U1 is RCWL-9196)		
CHECKED					
ENGINEER					
PROJ ENGINEER			SIZE	FSCM NO.	DRAWING NO.
APPROVED			B		0242
QA			SCALE	NONE	© 2018 TES MODIFIED: 01/07/18 11:28:58 AM
					SHEET 1 OF 3

REVISION HISTORY			
REV	DESCRIPTION	APPROVED	DATE



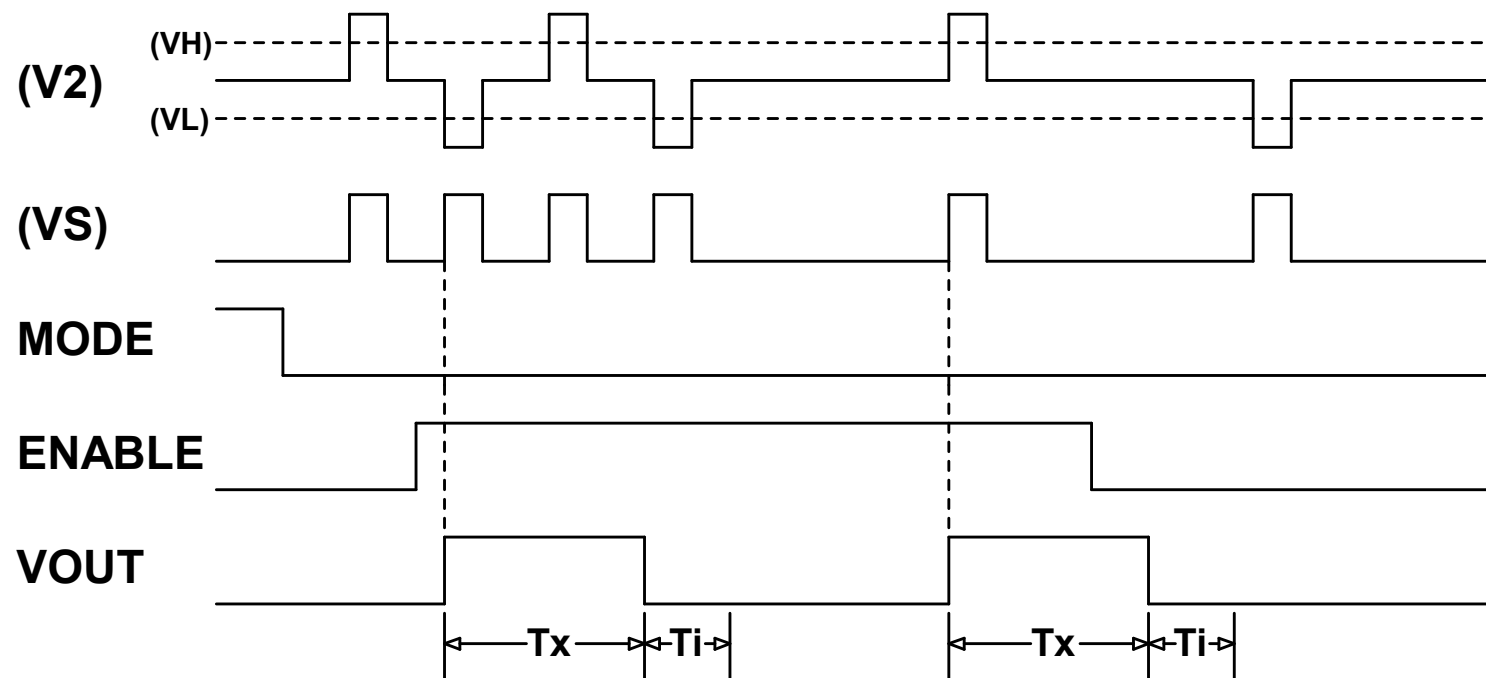
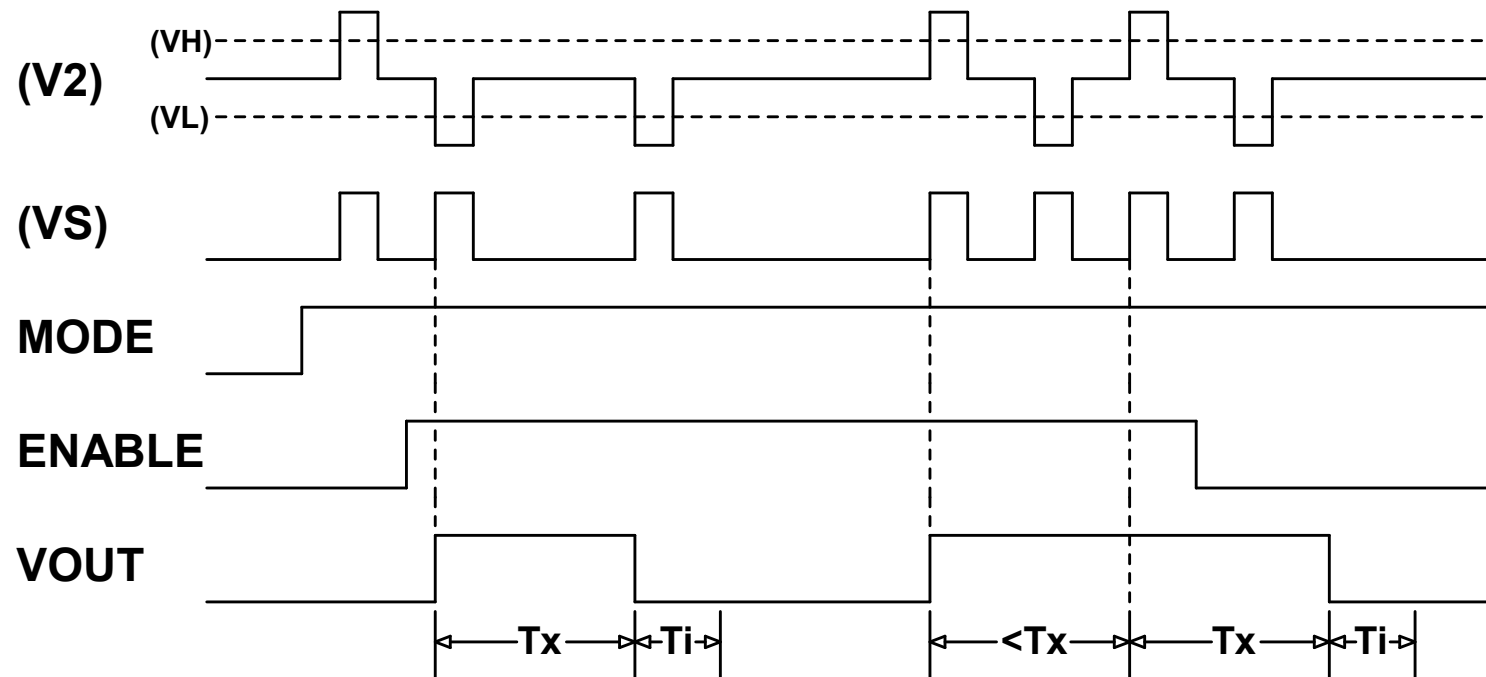
Notes

1. BISS0001: 8 is Vref/Reset# and 11 is VDD in (3-5V)
2. MODE: 1 = Re-triggerable, 0 = Non Re-triggerable
3. IB: Op-amp input bias current setting
4. Tx: Time VOUT remains high after triggering, $\sim 24576 \times R \times C$
5. Ti: During this time period, triggering is inhibited, $\sim 24 \times R \times C$



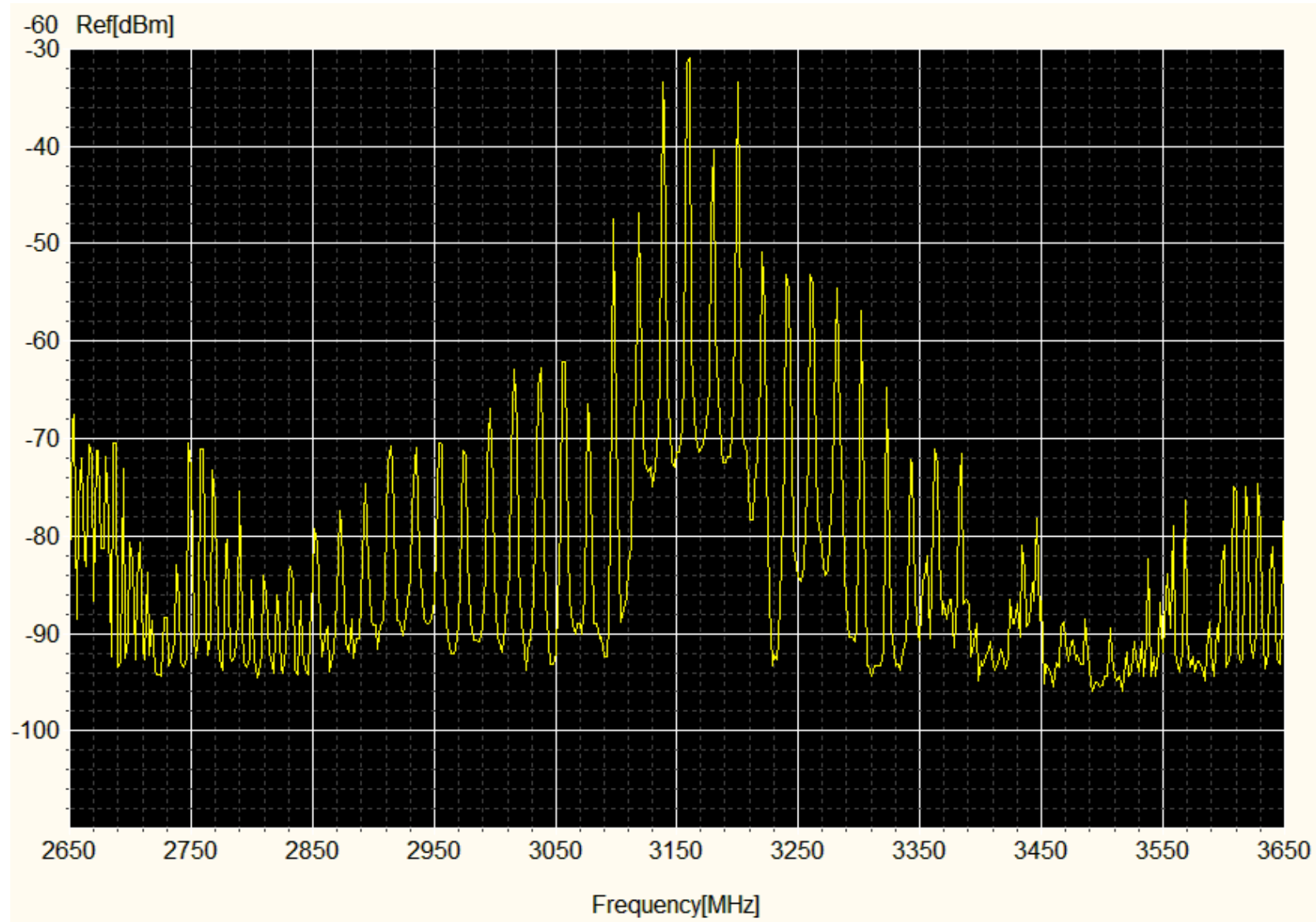
MODE = 1 = Retriggerable

MODE = 0 = Non-Retriggerable

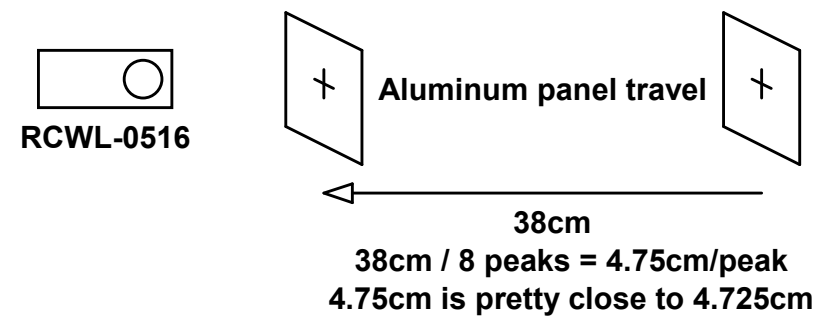
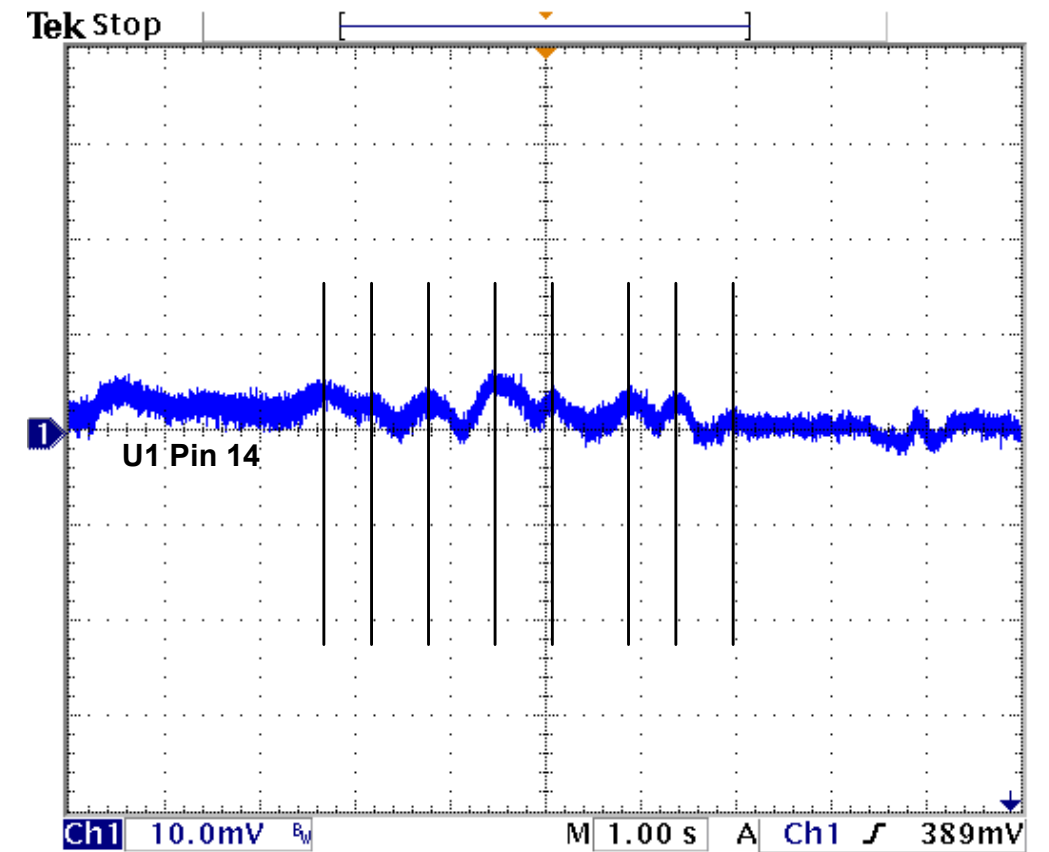


APPROVALS		DATE	TITLE		
DRAWN	J TAYLOR	2017/01/01	RCWL-0516 3.2GHz motion detector (U1 is RCWL-9196)		
CHECKED					
ENGINEER					
PROJ ENGINEER			SIZE	FSCM NO.	DRAWING NO.
APPROVED			B		0242
QA			SCALE	NONE	REV. -
			© 2018 TES	MODIFIED: 01/07/18 11:28:58 AM	SHEET 2 OF 3

REVISION HISTORY			
REV	DESCRIPTION	APPROVED	DATE



At 3175MHz, wavelength = 9.45cm
 1/2 wavelength = 4.725cm



APPROVALS		DATE	TITLE		
DRAWN	J TAYLOR	2017/01/01	RCWL-0516 3.2GHz motion detector (U1 is RCWL-9196)		
CHECKED			SIZE	FSCM NO.	DRAWING NO.
ENGINEER			B		0242
PROJ ENGINEER			SCALE	© 2018 TES	MODIFIED: 01/07/18 11:28:58 AM
APPROVED			NONE		SHEET 3 OF 3
QA					REV: -